

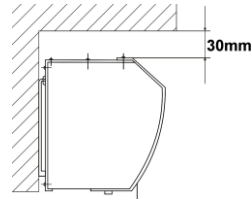
During installation, the mounting plate should not have a gap between the unit and the wall.

The distance between the unit and the ceiling must be at least 30mm.

The unit is installed horizontally only.

Recommend installing the machine at the height of at least 2.3M above the ground.

A triple pole switch should precede the appliance with at least 3mm breaking gap.



Heated RM series Air Curtains



MAINTENANCE AND REPAIR:

1. Unplug the unit from any power source prior checking or doing any maintenance.
2. Keep electric motor or other parts away from moisture to avoid short circuit.
3. Regular checking and maintenance is recommended, clean all the dust off with a damp cloth and mild detergent.
4. Detach the unit only by professional electrician.

SPECIFICATIONS: 380V 50/60HZ

| RM series | Heated air curtain | Voltage | Power | | Noise (dB) | Air Velocity (m/s) | | | weight |
|-------------|--------------------|---------|-----------|------|------------|--------------------|-----|-------|--------|
| | | | Low speed | m3/h | | High | Low | (l/s) | |
| RM2209-3D/Y | 900x183x221 | | 6000 | 1500 | 55 | 8 | 7.5 | 416 | 14.5 |
| RM2212-3D/Y | 1200x183x221 | | 7200 | 2500 | 57 | 8 | 7.5 | 694 | 18 |
| RM2215-3D/Y | 1500x183x221 | 3 phase | 9000 | 3000 | 60 | 8 | 7.5 | 833 | 22 |
| RM2218-3D/Y | 1800x183x221 | 380V | 12000 | 3500 | 62 | 8 | 7.5 | 972 | 29 |
| RM2220-3D/Y | 2000x183x221 | 50/60HZ | 12800 | 3700 | 65 | 8 | 7.5 | 1027 | 31 |

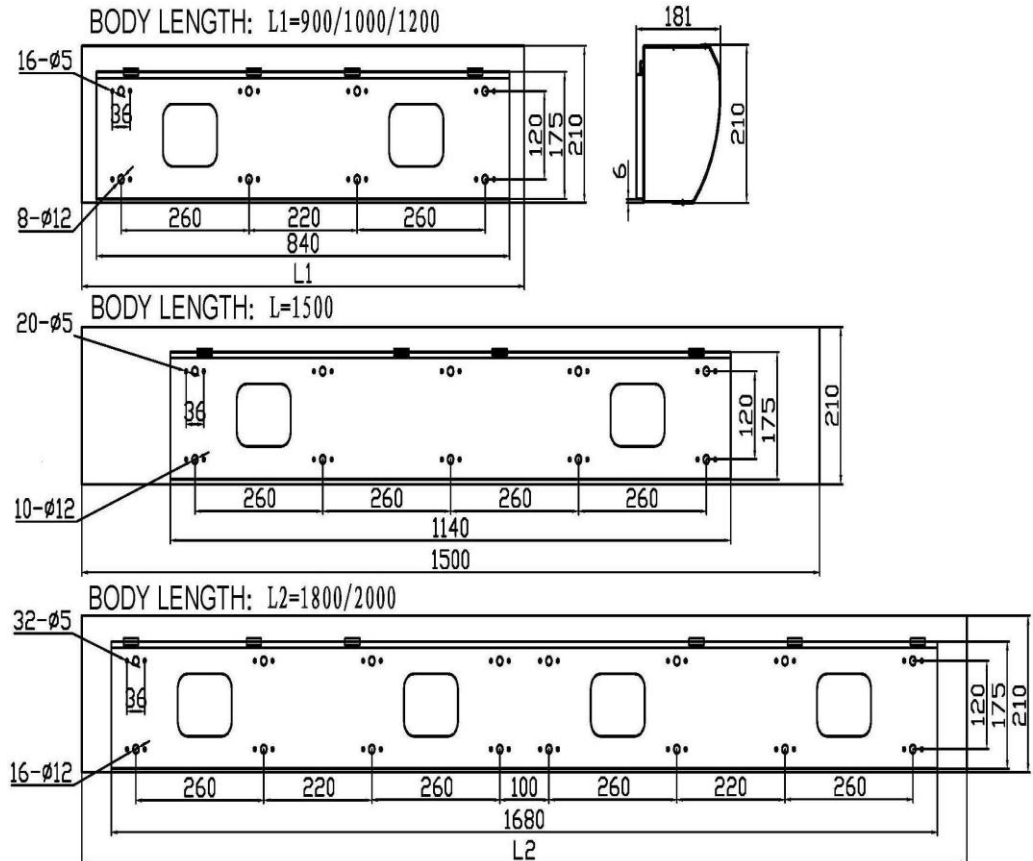
NOTE: Rated voltage and frequency are stated as per rating label.

The air curtain has three buttons and two speeds.

Low speed - Heat is on low speed, there is only one heat value.

High speed - Ambient, no heat.

OFF



Before using this unit, please read this instruction manual completely.

PRODUCT OUTLINE:

AIR CURTAINS are designed for installation in shops, office buildings, hotels and restaurants doorway.

They discharge a curtain of air, which effectively shuts out outside air.

Use them to keep out insects, unpleasant smells, and dust from indoor where a large number of people pass in and out.

These air curtains also prevent air escaping from air-conditioned areas.

CONDITIONS OF USE:

Please **DO NOT** install the unit under following conditions:

1. Do not operate ambient temperature over 50°C or below -10°C.
2. A relative humidity over 95% at room temperature and steamy area.
3. Contains of oily smoke.
4. Materials or gases may cause explosion.
5. Nearly corrosive gases.
6. Locate in where may be sprinkle with water.

DIAGRAM:

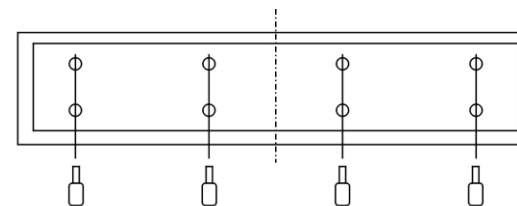
[Dimension : mm]

1. Unscrew the mounting plate and take it off. (Fig. 1、 Fig.2)
2. Drill a hole as the instruction. Then put into the bolt and fix it with cement. (Fig.3)
3. Hanging on the mounting plate and ensure fix it. (Fig.4)
4. Installing the machine onto the mounting plate and ensure the safety, than fix it tighten with screws. (Fig.5)

CAUTIONS / INSTALLATIONS:

During installing the unit, please pay special attention to the following points in order to obtain the ultimate efficiency.

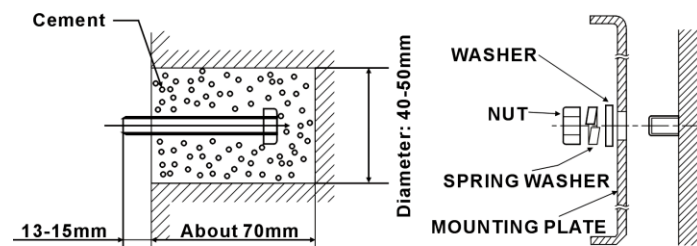
1. Install on solid place to avoid vibrations when machine is running and also for safety reason unnecessary noise caused by vibration can be prevented.
2. Air curtains are to be used for indoor purposes only.
3. Depending on the height and width, choose the most suitable model. If it fixed too high the efficiency will be reduced.
4. The air is drawn in from the front of the unit and is blown downwards; there is a louver that can be moved 15 degrees each way.
5. Several units can be mounted next to each other when wide door openings occur. Under such condition, a narrow space in between 20-40mm is required.



(Fig. 1)

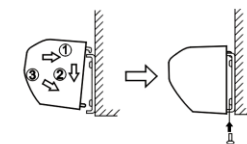


(Fig. 2)

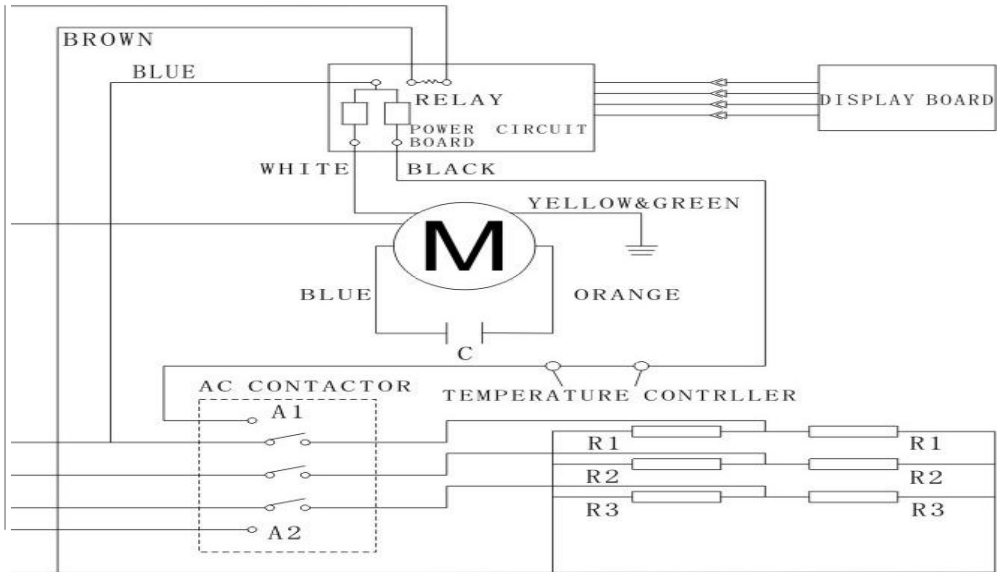


(Fig. 3)

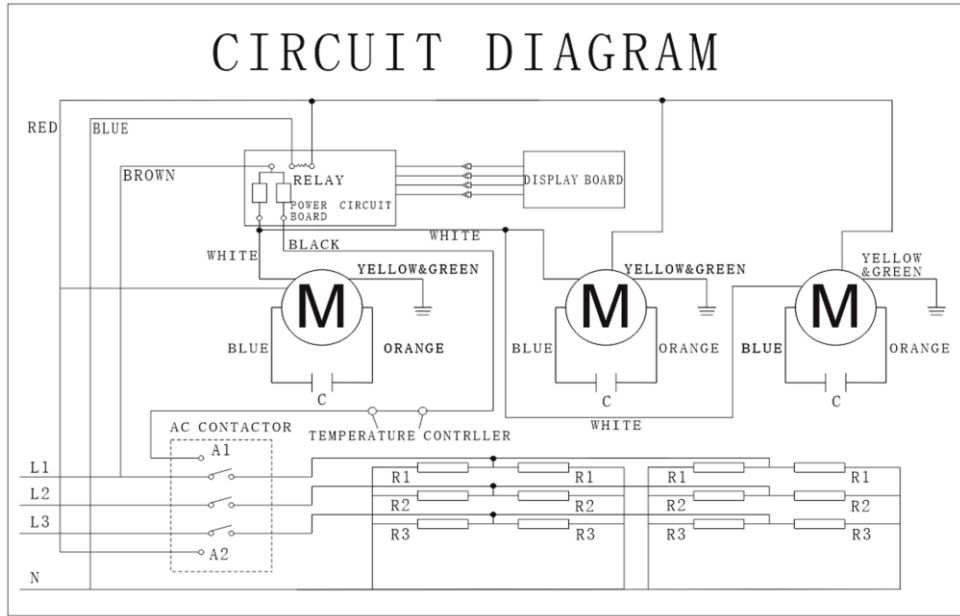
(Fig. 4)



(Fig. 5)



900, 1200, 1500 heated RM series air curtains



1800 & 2000 heated RM series air curtains